



SERVOKON[®]

We believe in perfection

POWER TRANSFORMER

AN ISO 9001:2008 CERTIFIED CO.

Upto 10 MVA

About Us

Servokon Systems Ltd. was established in 1990 and since then it is one of the leading manufacturers & exporters of Power Conditioning Products in the country.

Servokon is professionally managed ISO 9001: 2008 certified company with a churning turnover of over 20 crores having 150 professional and trained personnels at all levels to meet the commitment to provide highly reliable, robust and Versatile Products and prominent services.

We are maintaining a state-of-art testing lab with most advanced testing facilities. Our products confirm specifications as per IS: 9815-94, IEC & BS and other Indian Standards. Quality and standard of our product has been approved by various National Inspecting Agencies viz. Engineers India Ltd, (EIL), RITES, Department of Industries, Haryana, SGS, CPWD, DGS&D. Our brand "Servokon" is a registered supplier of the products in various Central & State Govt. Departments viz. DGS&D Rate Contract, NSIC, MES, PWD, Delhi Jal Board, CPWD and counting.

We have proved our Existence through receiving highly renowned awards like "Rashtriya Ekta Puraskar" from the President of India, Mr Shankar Dayal Sharma and recently awarded as "No. 1 in Quality Products" from Utrakhnad Government and the list of awards is growing.

Distribution Transformer being the most important element in any Industrial/Commercial unit, factors involved whether it be production hampering due to breakdown in transformer or may be the hidden expenditures because of unwanted excess losses due to substandard quality of the transformer. At Servokon, Our main aim is to provide superior quality maintenance free products, designed and tested as per the latest IS standards. To assure the same we're maintaining our Design and Development team having highly qualified and experienced personnel to preciously keeps eye on the designing part incorporated with an state-of-art testing lab with the advanced testing instruments to affirm the quality of the end product. But another vital factor is the quality of raw material, that's why we're using "Sterlite" make 99.9% electrolytic copper, Imported Low Loss M-4 grade CRGO laminations to minimize iron-copper losses and Branded High Quality "A Grade" transformer oil confirming as per IS 335 standards.

Product Range

- Power Trasnformers
- Distribution Transformers
- Distribution Transformers with OLTC
- Dry Type Distribution Transformer
- Special Furnace Transformers



Upto 10000 Kva, 11 & 33 Kv class

Applicable Standards

Servokon's Transformer are designed and tested as per following standards: IS-2026, BS-171, IEC-76, IEC-726, IEC 354

Standard Fittings

1. Rating and diagram plate.
2. Earthing terminals - 2 Nos.
3. Lifting lugs
4. Oil level indicator (Plain)
5. Drain-cum bottom filter valve with plug.
6. Oil filling hole with plug on conservator.
7. Oil conservator with drain plug.
8. Air release plug.
9. Silica-gel air breather.
10. Bi-directional flat rollers.
11. HV terminals-outdoor bushings.
12. LV terminals-outdoor bushings.
13. Radiators.
14. Filter valve with plug.
15. Thermometer pocket.
16. Oil temperature indicator.
17. Externally operated off circuit tap changing switch.
18. Explosion vent.

Optional Accessories

1. LV and HV cable boxes
2. Winding temperature indicator (WTI).
3. Buchholz relay
4. Magnetic oil level gauge
5. Marshalling box
6. Disconnecting chamber
7. Oil temperature indicator with electrical contacts (OTI)
8. Pressure relief valve.

Routine Tests

All transformers are subjected to all routine test. These includes:

- Insulation Resistance Test • Resistance measurement of winding • Turns Ratio Test • Polarity and phase relationship test
- No load losses measurement • Excitation current measurement • Impedance voltage test • Load losses measurement
- Insulation oil test • Dielectric test • Leakage test of transformer tank

Type Tests

Type test are special optional tests. These tests are carried out an additional fees, to be borne by the customer.

- Impulse Voltage Test • Temperature Rise Test • Short Circuit Test

Rated Primary Voltage : 11KV		Outdoor type, Oil immersed, Copper Wound, Transformer											
Secondary Voltage : 433V													
Capacity KW	No Load Losses (Watts)	Load Losses at 75°C (Watts)	Total Losses at 75°C (Watts)	Impedance at 75°C (%)	Efficiency at 100% load (%)		Voltage Regulation PF=1(%)	Noise Level dB A=1m	Outline Dimension Approx. (mm)			Oil Qty. (Litres) Approx.	Total Weight (kgs) Approx.
					PF=1	PF=0.8			H	L	W		
50	160	1100	1260	4	97.48	96.85	2.26	45	1200	980	480	105	400
100	290	2000	2290	4	97.71	97.14	2.05	46	1250	1070	500	135	575
160	400	2500	2900	4	98.19	97.73	1.63	47	1300	1120	570	195	800
200	500	2900	3400	4	98.30	97.88	1.52	47	1400	1170	625	240	960
250	600	3600	4200	4	98.32	97.90	1.51	48	1475	1225	675	295	1170
315	750	4500	5250	4	98.33	97.82	1.50	50	1535	1225	770	330	1380
400	850	5400	6250	4	98.44	98.05	1.42	50	1600	1250	870	370	1550
500	1000	6500	7500	4	98.50	98.13	1.37	52	1650	1340	950	450	1870
630	1200	7500	8700	5	98.62	98.27	1.31	52	1700	1460	1030	530	2190
800	1500	10000	11500	5	98.56	98.28	1.37	54	1770	1650	1030	635	2645
1000	1700	12000	13700	5	98.63	98.29	1.32	54	1840	1840	1040	740	3100
1250	2000	14000	16000	6	98.72	98.40	1.29	56	1880	1870	1210	790	3350
1500	2300	16000	18300	6	98.78	98.48	1.24	56	1930	1950	1240	820	3840
2000	2900	21000	23900	6	98.81	98.51	1.22	52/3m	2040	2100	1390	1025	4560
2500	3100	25000	28100	6	98.83	98.60	1.18	52/3m	2150	2180	1420	1300	5600
3000	3400	29000	32400	6	98.92	98.65	1.14	52/3m	2240	2280	1450	1450	6200

Dry type Distribution Transformer (VPI Type)

We offer Dry Type Distribution Transformer (VPI Type) upto 3000 Kva, 11 Kv class designed and tested as per IS and BIS standards. Dry Type Transformer doesn't have oil, thus minimizing the risk of any fire or leakage making it suitable for any environment. Class H/E insulation making it heat bearable up to 200°C. Most of the Government bodies are promoting this product.

Advantages:

- High level of safety
- No pollution from leakages
- Can be placed close to the load
- Improved reliability
- Low Noise and low maintenance
- No flammable liquids.
- No toxic gases
- More efficient



Distribution Transformer with Built-in-AVR (Two-in-one)

Servokon's Distribution Transformer with Built-in-AVR is ideal for indoor/outdoor installation, copper wound DT Two-in-One system is revolutionary product in the industry when it comes to voltage regulation and stabilization. Even after the installation of standard distribution transformer, the problem of low/high voltage on the LT side persists, resulting in improper operation of the electrical equipments, premature failure & production loss of a plant. The standard off-circuit tapping of transformers can corrected limited voltage variation and cannot regulate the voltage while in 'On Load' conditions. We have developed state-of-the-art two-in-one system with transformer having built-in HT Automatic Voltage regulator that operates on load, sleeplessly & gives stabilized voltage on the LT side. The equipment basically is a combination of HT AVR with a standard distribution transformer. The fluctuating voltage is initially controlled by the HT AVR and then fed to the transformer resulting in the constant L.T. output with $\pm 1\%$ accuracy and the biggest advantage been its robust design, lesser losses & more efficiency make the distribution transformer to utilize up to 100% capacity.

Quality

We ensure that every product manufactured is thoroughly checked and tested at our in-house testing facility as per specified "IS Standards" to meet our commitment to provide highly reliable, robust and versatile products in all respect.

Applications

- Cement Plant • High Rise Buildings • Cold Storages • Tea Estate • Rolling Mills • Textile Mills • Paper Mills
- Hotel • Hospitals • Pharmaceutical Units • Engineering Units • Foot & Leather Units • Rubber Industries etc.

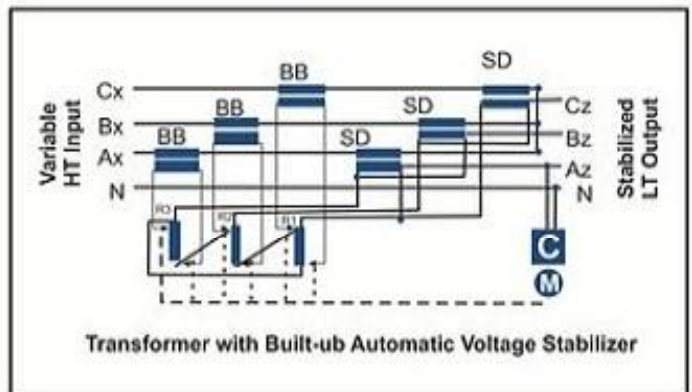


SD = Stepdown transformer

BB = Buck/Boost transformer

R = Regulator M = Servo Motor

C = Electronic Control Circuit



OTHER PRODUCTS



- Rolling Contact Servo Stabilizer • HT AVR • Online UPS • Isolation Transformer • Variac • CVT etc.

SERVOKON SYSTEMS LIMITED

Servokon House, C-13, Radhu Palace Road, Laxmi Nagar, Delhi 110092. **M: 09873630786, 09810630786**

E-mail : info@servokon.com Website : www.servokon.com

Toll Free No. : 1800 1122 41

SMS "SERVOKON" at 52424